

TECHNICAL DATASHEET



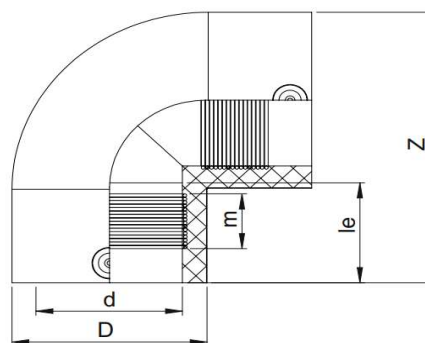
EF ELBOW 90°

04 Update - 06/2023

TECHNICAL DATA

| | |
|-----------------------|-------------------|
| Article No | 101 117 2021 0050 |
| d (mm) | 50 |
| D (mm) | 63 |
| Z (mm) | 103 |
| le (mm) | 45 |
| m (mm) | 13,1 |
| Weight (Kg) | 0,168 |
| Box Quantity (pcs) | 50 |
| Box Dimension (cm) | 31x50x34 |

INJECTION MOULDED



IDENTIFICATION OF PRODUCT

| | |
|----------------|------------------------------------------------|
| D(mm) | 50 |
| SDR | 11 |
| RAW MATERIAL | PE 100 |
| PRESSURE CLASS | 16 Bar Water 10 Bar Gas |
| TRADEMARK | NTG |
| EXECUTION | Injection Moulded |
| STANDARD | EN 12201-3 EN 1555-3 AS / NZS 4129 |
| SPECIFICATION | Suitable for SDR11 pipe 4 mm pin connectors |

EF SPECIFICATION

| | |
|-----------------|-----------|
| WELDING VOLTAGE | 40 V |
| RESISTANCE | 2,73 Ω |
| WELDING TIME | 90 Sec. |
| COOLING TIME | 5 Min. |
| WINDING TYPE | Monofilar |
| WELDING BARCODE | |



980621300503992735090119

Tolerance on diameters and thickness according to the standards. The other dimensions are specialized. Tolerance $\pm 5\%$. NTG PLASTIK reserves all the right to change any information without giving prior notice. The production, distribution and utilization of this document without explicit authorization is prohibited.